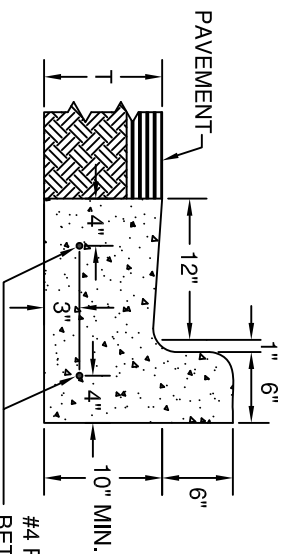
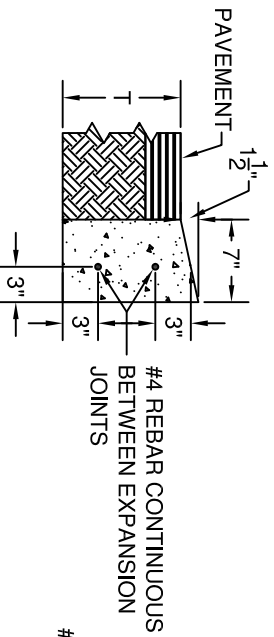


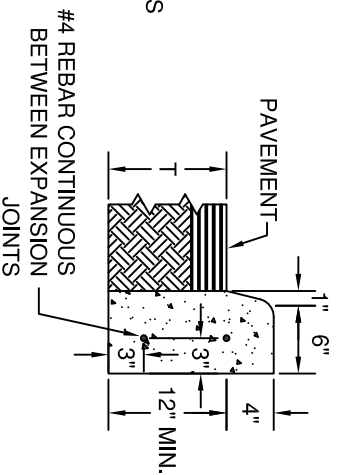
DEPRESSED CURB



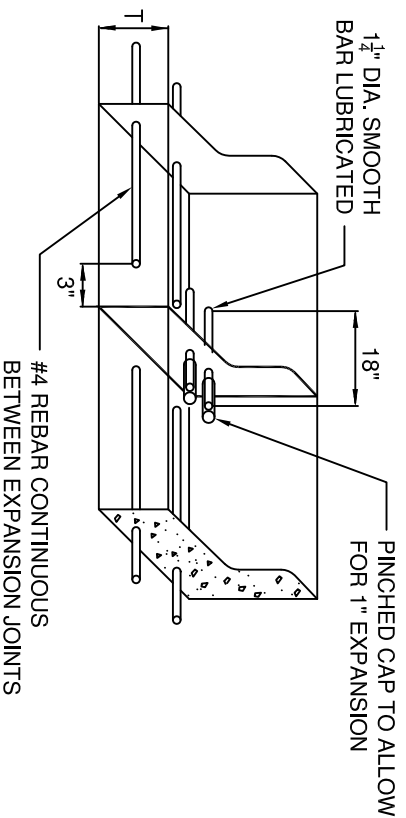
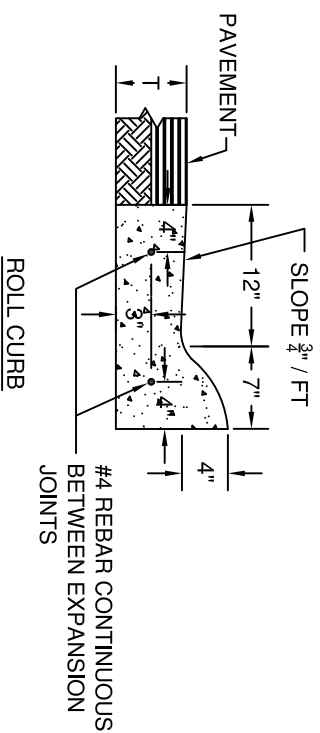
BARRIER CURB TYPE B-6.12



DEPRESSED CURB (TYPE B)



BARRIER CURB (TYPE B)



NOTES:

1. T = PAVEMENT THICKNESS.
2. ALL CURB AND GUTTER TO BE INSTALLED ON 4" COMPACTED STONE BEDDING.
3. EXPANSION JOINTS SHALL BE DOWELED AND SPACED 60" ON CENTER, AT ALL TANGENT POINTS OF RADIUS, 5" EITHER SIDE OF ALL UTILITY STRUCTURES AND BETWEEN NEW AND EXISTING CURB.
4. EXPANSION JOINT MATERIAL SHALL BE PLACED BEHIND ALL CURB ABUTTING CONCRETE PAVEMENT OR SIDEWALK.
5. CONTROL JOINTS SHALL BE SAW CUT A MINIMUM OF 1 1/2" AT 15' ON CENTER.

Village of Mount Prospect

Public Works Department

1700 W. Central Rd.

CURB AND GUTTER DETAIL

Last Revised: 8-09