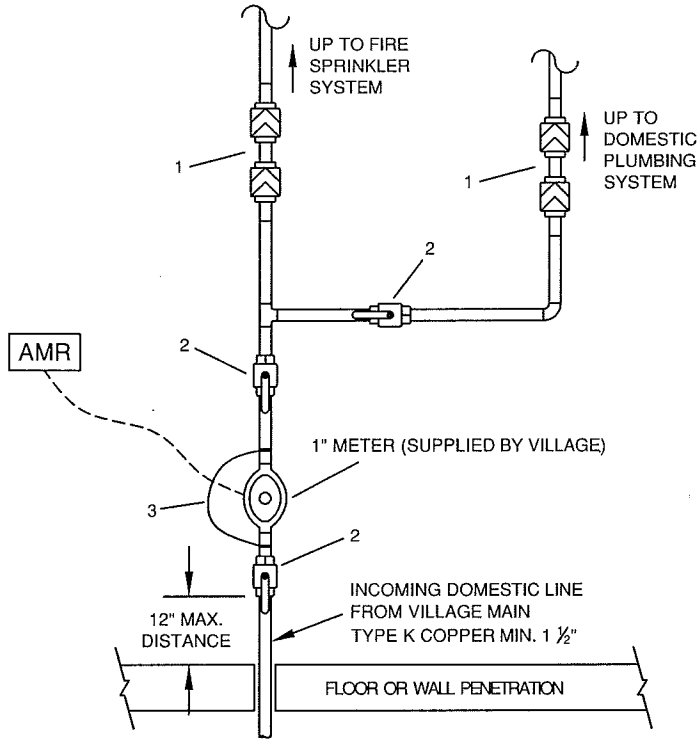
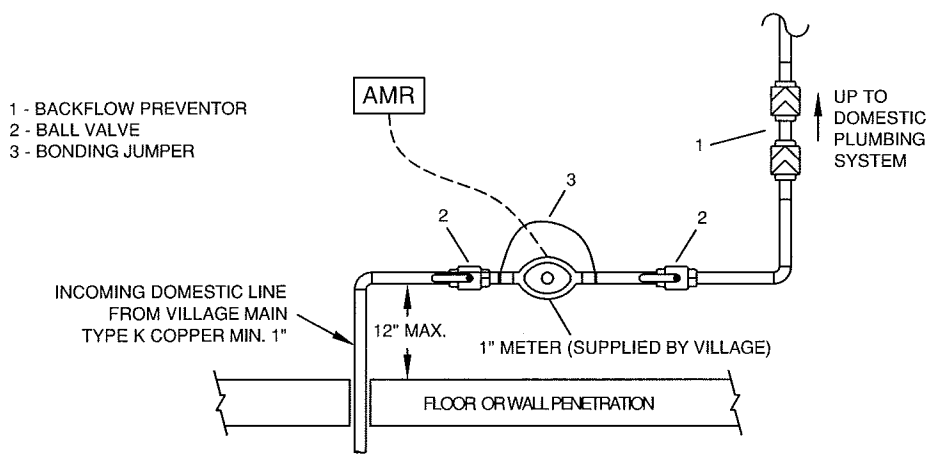


SERVICE W/ FIRE PROTECTION



NO FIRE PROTECTION



- 1 - BACKFLOW PREVENTOR
- 2 - BALL VALVE
- 3 - BONDING JUMPER

WATER METER DIMENSIONS	
WATER METER SIZE	1"
LAYING LENGTH (METER ONLY)	10-3/4"
TAILPIECE LENGTH	2-5/8"
TOTAL METER LAYING LENGTH	16"
NOTE: METERS HAVE MALE THREAD ENDS	

COMBINED WATER SERVICE 2" AND SMALLER DOMESTIC SUPPLY 1-1/2"

NOTES:

- A. ALL BRASS FITTINGS, SUCH AS TAILPIECES, FLANGES, STRAINERS, SHALL BE NO LEAD, LOW-LEAD OR ENVIROBRASS CONFORMING TO EPA REQUIREMENTS AND SHALL BE CLEARLY LABELLED OR MARKED.
- B. ALL METERS MUST BE INSTALLED IN THE HORIZONTAL POSITION.
- C. ALL METERS MUST REGISTER IN GALLONS.
- D. SUFFICIENT SPACE MUST BE PROVIDED, TYPICALLY 1' - 2' IN EACH DIRECTION, TO MAINTAIN AND REPAIR THE METER AND BACKFLOW DEVICE.
- E. THE METER MAY NOT BE LOCATED IN A CRAWL SPACE OR OTHER UNHEATED AREA.
- F. BACKFLOW / CROSS CONNECTION CONTROL DEVICE REQUIRED ON ALL COMMERCIAL SERVICES. PROVIDE CERTIFICATION TO PUBLIC WORKS BEFORE REQUESTING OCCUPANCY.
- G. AMR MODULE MUST BE INSTALLED AS HIGH AS POSSIBLE ON CLOSEST PERIMETER WALL.
- H. PROVIDE MAINTENANCE AND REPAIR ACCESS TO METER AT ALL TIMES.
- I. CONTRACTOR TO PROVIDE LOW LEAD TAILPIECES MUELLER H-10896 FOR 1" METER SUPPLIERS:
 - HD WATERWORKS (630)665-1800
 - ZIEBELL (847)364-0670
 - HBK (847)202-4389
- J. PLUMBER TO INSTALL 1-1/2" OR LARGER METER W/ FLANGE.
- K. DISTANCE BETWEEN STRAINERS AND METER MUST BE GREATER THAN 5 PIPE DIAMETER.
- L. USE OF A SPOOL PIECE, METER BYPASS, OR USE OF WATER WITHOUT A METER IS PROHIBITED, AND SUBJECT TO PENALTIES.
- M. NO DISSIMILAR METALS WITHOUT DIELECTRIC SEPARATION.

Village of Mount Prospect
 Public Works Department
 1700 W Central Rd

COMMERCIAL METER DETAIL-A

Scale: None Last Revised: 11-13